



INSTALLATION INSTRUCTIONS FOR PART 99-73355

APPLICATIONS

Hyundai Veracruz Limited 2007-2012 99-73355

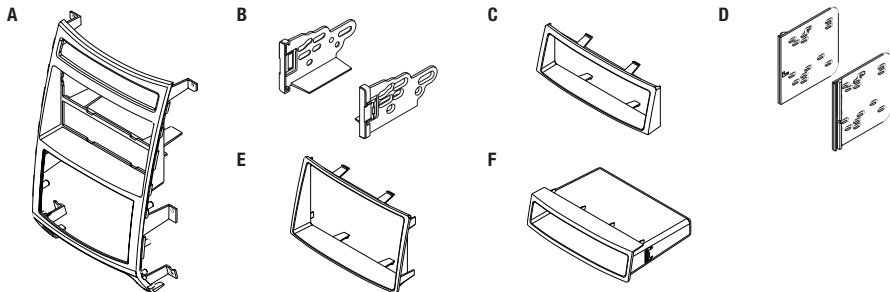
KIT FEATURES

- DIN radio provision with pocket
- ISO Mount radio provision with pocket
- Double DIN radio provision
- *Painted to match factory dash, "S"=Silver*



KIT COMPONENTS

- A) Radio housing • B) ISO Brackets • C) ISO Trim plate • D) Double DIN brackets
- E) Double DIN trim plate • F) Pocket



WIRING & ANTENNA CONNECTIONS (sold separately)

Wiring Harness:

- 70-1004 - KIA/Hyundai 2004-up
- 70-7303 - KIA/Hyundai 2009

Antenna Adapter:

- 40-K111 - KIA 2007-up

TOOLS REQUIRED

- Small flat blade screwdriver • Panel removal tool
- Phillips screwdriver

CAUTION: Metra recommends disconnecting the negative battery terminal before beginning any installation. All accessories, switches, and especially air bag indicator lights must be plugged in before reconnecting the battery or cycling the ignition.

NOTE: Refer to the instructions included with the aftermarket radio.

Table of Contents

Dash Disassembly

- Hyundai Veracruz Limited 2007-2012
(Automatic climate control only)..... 2

Kit Preparation..... 3

Kit Assembly

- DIN radio provision with pocket..... 3
- ISO radio provision with pocket..... 4
- Double DIN radio provision..... 5

Hyundai Veracruz Limited 2007-2012

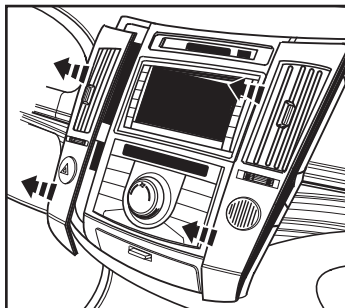
1. Unclip and remove the side trim panels.

Tip: Start at the bottom of the panels. (Figure A)

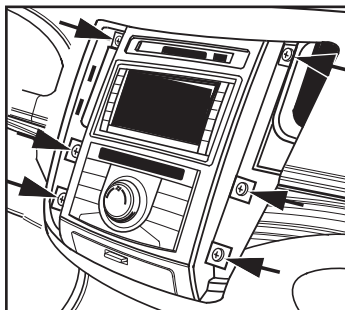
2. Remove (6) Phillips head screws securing the radio trim panel and remove trim panel. (Figure B)

3. Remove (4) Phillips screws securing the climate control, (2) Phillips screws securing the clock display and (4) Phillips screws securing the pocket from the radio trim panel. (Figure C)

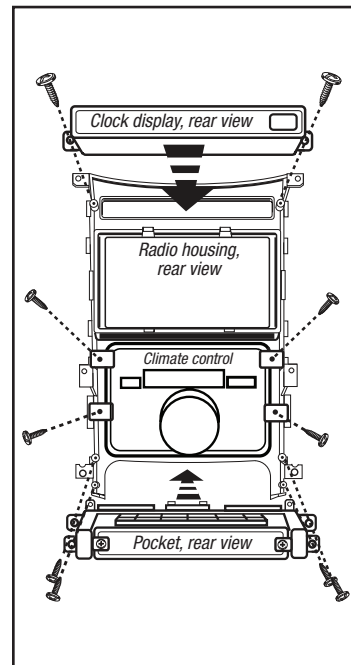
Continue to kit preparation



(Figure A)



(Figure B)

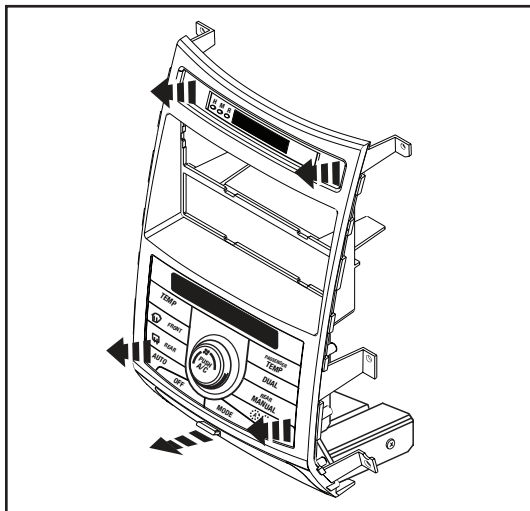


(Figure C)

Hyundai Veracruz Limited 2007-2012

1. Attach the climate control, pocket and the clock display into the 99-7335S radio housing using the factory hardware. (Figure A)

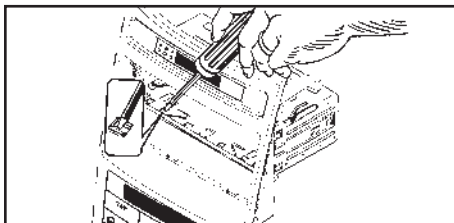
Continue to kit assembly



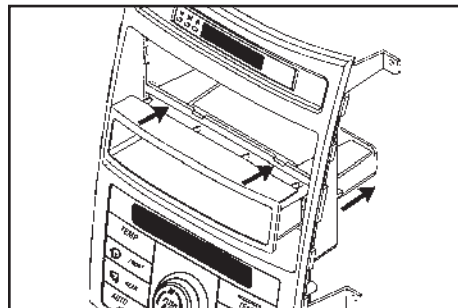
(Figure A)

DIN radio provision with pocket

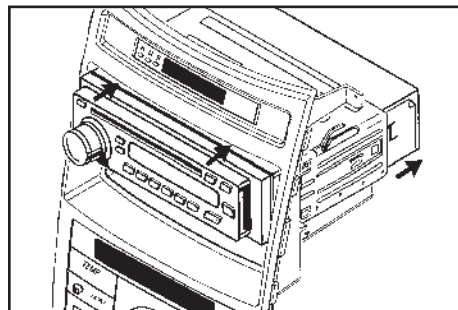
1. Slide the DIN cage into the radio housing and secure by bending the metal locking tabs down. (Figure A)
2. Snap the pocket into the bottom opening of the radio housing. (Figure B)
3. Slide the aftermarket radio into the cage and secure. (Figure C)
4. Locate the factory wiring harness in the dash. Metra recommends using the proper mating adapter from Metra or AXCESS. Re-connect the negative battery terminal and test the radio for proper operation.
5. Reassemble dash in reverse order of disassembly.



(Figure A)



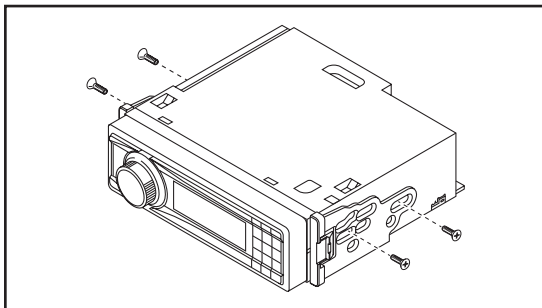
(Figure B)



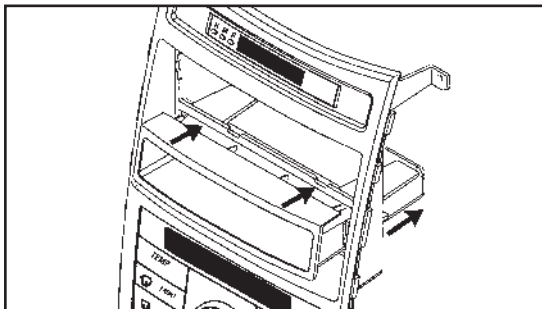
(Figure C)

ISO radio provision with pocket

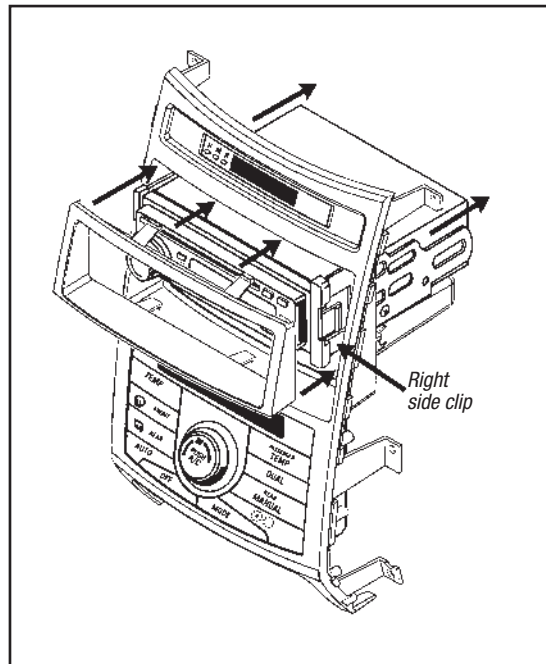
1. Mount the ISO brackets to the radio with the screws supplied with the radio. (Figure A)
2. Snap the pocket into the bottom opening of the radio housing. (Figure B)
3. Slide the radio into the radio opening until the side clips engage. (Figure C)
4. Snap the trim plate into the radio housing. (Figure C)
5. Locate the factory wiring harness in the dash. Metra recommends using the proper mating adapter from Metra or AXCESS. Re-connect the negative battery terminal and test the radio for proper operation.
6. Reassemble dash in reverse order of disassembly.



(Figure A)



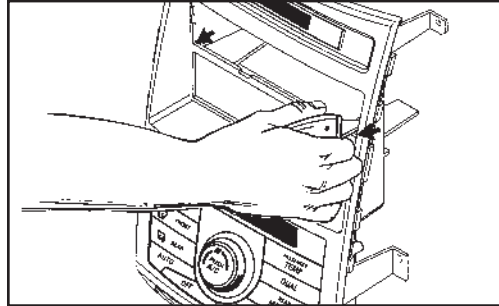
(Figure B)



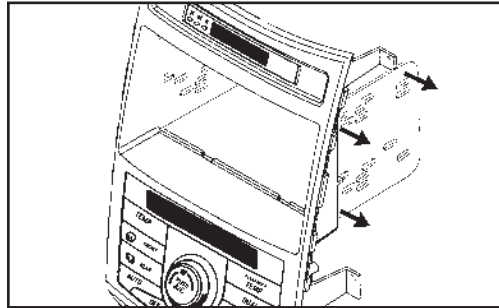
(Figure C)

Double DIN radio provision

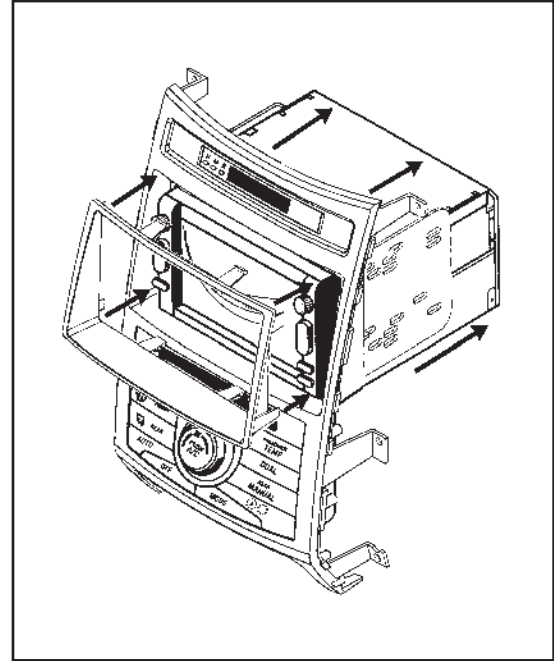
1. Cut and remove the center bar from the radio housing. (Figure A)
2. Snap the double DIN brackets to the inside edge of the double DIN trim plate. (Figure B)
3. Slide the double DIN radio into the bracket/radio housing assembly and secure the double DIN radio to the assembly using the screws supplied with the radio. (Figure C)
4. Snap the double DIN trim plate into the radio housing. (Figure C)
5. Locate the factory wiring harness in the dash. Metra recommends using the proper mating adapter from Metra or AXCESS. Re-connect the negative battery terminal and test the radio for proper operation.
6. Reassemble dash in reverse order of disassembly.



(Figure A)



(Figure B)



(Figure C)



99-73355

Notes



99-73355

Notes





INSTALLATION INSTRUCTIONS FOR PART 99-73355



REV. 2/19/2014 INST99-73355



KNOWLEDGE IS POWER

Enhance your installation and fabrication skills by enrolling in the most recognized and respected mobile electronics school in our industry. Log onto www.installerinstitute.com or call 800-354-6782 for more information and take steps toward a better tomorrow.



**Metra recommends MECP
certified technicians**