



Installation instructions for part 99-7427

Nissan Maxima 2009-2014 *(non nav models) (w/o tech package)* 99-7427

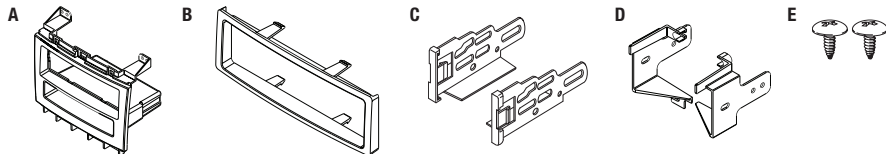
KIT FEATURES

- DIN Radio Provision With Pocket
- ISO DIN Radio Provision With Pocket
- PAINTED TO MATCH FACTORY DASH:
99-7427B=BLACK, 99-7427G=GRAY
- *Textured To Match Factory Dash*



KIT COMPONENTS

- A) Radio Housing • B) Trim Plate • C) ISO Brackets • D) Module Brackets • E) (2) Phillips Head Screws



WIRING & ANTENNA CONNECTIONS *(sold separately)*

Wiring Harness: • 70-7552

Antenna Adapter: • 40-NI12

TOOLS REQUIRED

- Torx Screwdriver • Panel Removal Tool • Phillips Screwdriver

Table of Contents

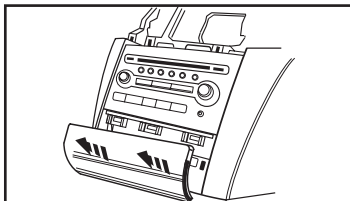
Dash Disassembly	2
Kit Preparation	2
Kit Assembly	
– DIN Radio Provision With Pocket.....	3
– ISO DIN Radio Provision With Pocket	3

CAUTION! Metra recommends disconnecting the negative battery terminal before beginning any installation, unless the vehicle manufacturer recommends against so. Please check with your local Dealership for more information. All accessories, switches, climate controls panels, and especially air bag indicator lights must be connected before reconnecting the battery or cycling the ignition. Also, do not remove the factory radio with the key in the on position, or the vehicle running. It would be best to remove the key from the ignition and then wait a few seconds before removing the factory radio.

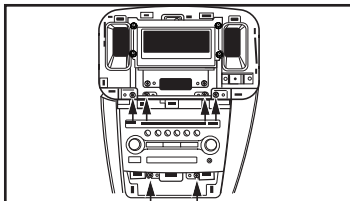
Dash Disassembly

1. Unclip and remove the panel above the radio including the a/c vents and the climate controls. Unplug and remove the panel. (Figure A)
2. Unclip and remove the panel below the radio. (Figure B)
3. Remove (6) Phillips screws securing the radio. Unplug and remove the radio. (Figure C)
4. Remove (4) Torx head screws securing each side bracket to the factory radio. Remove (1) Torx head screw from each side of the module below the radio, and then remove the radio and module. Retain the module and (2) screws for re-use during kit assembly. (Figure D)

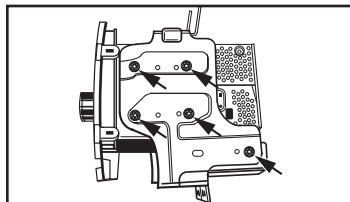
Continue to kit preparation



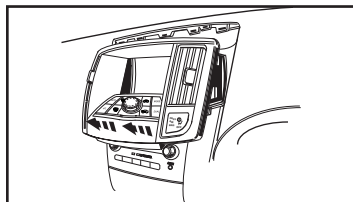
(Figure B)



(Figure C)



(Figure D)

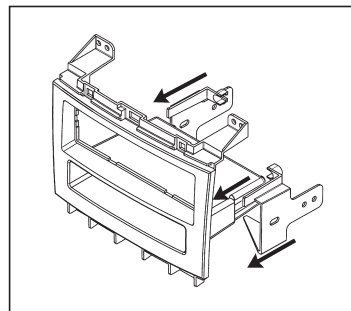


(Figure A)

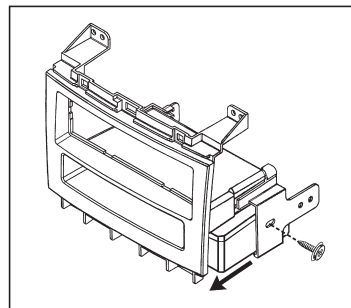
Kit Preparation

1. Attach the module brackets to the radio housing using (2) Phillips head screws supplied. (Figure A)
2. Secure the module to the completed assembly using (2) factory Torx head screws removed from dash disassembly. (Figure B)

Continue to kit assembly



(Figure A)

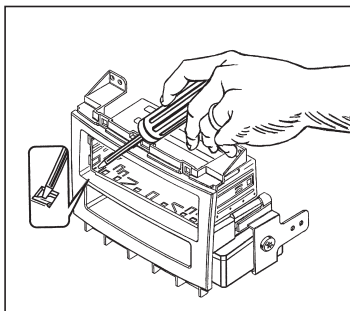


(Figure B)

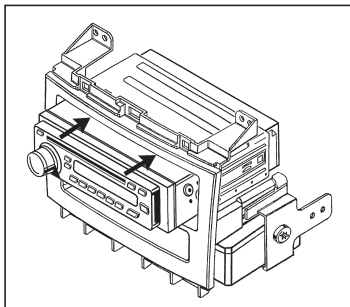
Kit Assembly

DIN radio provision with pocket

1. Remove the metal DIN sleeve from the aftermarket radio.
2. Slide the sleeve into the Radio Housing and secure by bending the metal locking tabs outward. (Figure A)
3. Slide the radio back into the sleeve until it clicks in. (Figure B)
4. Locate the factory wiring harness and antenna plug in the dash and make all necessary connections to the radio. Metra recommends using the proper mating adapters from Metra and/or AXCESS. Re-connect the negative battery terminal and test the radio for proper operation.
5. Mount the new radio assembly into the dash and reassemble the dash in reverse order of disassembly.



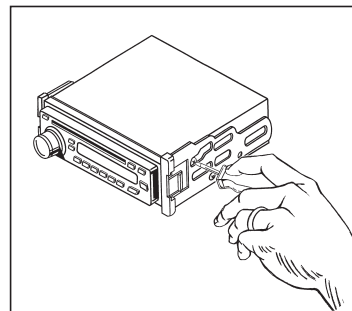
(Figure A)



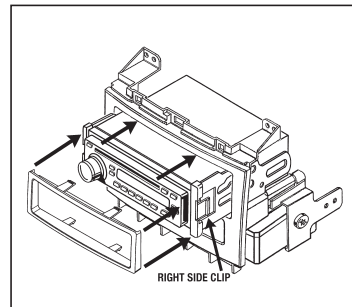
(Figure B)

ISO DIN radio provision with pocket

1. Remove the metal DIN sleeve and trim ring from the aftermarket radio.
2. Mount the ISO brackets to the radio using screws supplied with the radio. (Figure A)
3. Slide the completed assembly into the Radio Housing until it clicks in. (Figure B)
4. Snap the Trim Plate onto the front of the Radio Housing. (Figure B)
5. Locate the factory wiring harness and antenna plug in the dash and make all necessary connections to the radio. Metra recommends using the proper mating adapters from Metra and/or AXCESS. Re-connect the negative battery terminal and test the radio for proper operation.
6. Mount the new radio assembly into the dash and reassemble the dash in reverse order of disassembly.



(Figure A)



(Figure B)



Installation instructions for part 99-7427



REV. 7/16/2015 INST99-7427

IMPORTANT

If you are having difficulties with the installation of this product, please call our Tech Support line at **1-800-253-TECH**. Before doing so, look over the instructions a second time, and make sure the installation was performed exactly as the instructions are stated. Please have the vehicle apart and ready to perform troubleshooting steps before calling.



KNOWLEDGE IS POWER

Enhance your installation and fabrication skills by enrolling in the most recognized and respected mobile electronics school in our industry. Log onto www.installerinstitute.com or call 800-354-6782 for more information and take steps toward a better tomorrow.



**Metra recommends MECP
certified technicians**