



INTERFACE COMPONENTS

- AXDSPX-FD3 interface
- AXDSPX-FD3 interface harness
- AXDSPX-FD3 vehicle T-harness • Bass knob

APPLICATIONS

Visit AxxessInterfaces.com for current application list

For **Dash Disassembly Instructions**, refer to metraonline.com. Enter the year, make, and model of the vehicle in the **Vehicle Fit Guide** for **Radio Install kits**.



DSP Interface with Pre-Wired Harness

Fits Select Ford Models 2018-2023

INTERFACE FEATURES

- Designed for non-amplified systems
- Selectable 31-band Graphic EQ or 5-band parametric EQ on each channel with high pass, low pass, and bandpass filters
- 6 inputs and 10 individually assignable outputs
- Selectable slope (12, 24, 36, or 48db per octave)
- Selectable Graphic or Parametric EQ
- Independent equalization on each of the 10 outputs
- Each channel can be delayed independently up to 10 ms
- Clipping detection and limiting circuits
- Bass knob included
- Retains OE voice prompts (SYNC[®]) if vehicle is equipped
- Settings adjusted wirelessly in the free AX-DSP-XL app available for smartphones and tablets
- Easy behind the radio installation
- Can be used with factory and aftermarket radios
- Read, write, and store configurations for future recall
- Password protect feature available in the app
- Micro “B” USB updatable

TABLE OF CONTENTS

Installation & Installation Options.....	2
Connections.....	3-4
Mobile App	5-6
Specifications	7

TOOLS & INSTALLATION ACCESSORIES REQUIRED

- Crimping tool and connectors, or solder gun, solder, and heat shrink • Tape • Wire cutter
- Zip ties • Multimeter

Download AX-DSP-XL App

Android™ 9 or higher



iOS® 12.1 or higher



ATTENTION: With the key out of the ignition, disconnect the negative battery terminal before installing this product. Ensure that all installation connections, especially the air bag indicator lights, are plugged in before reconnecting the battery or cycling the ignition to test this product.

NOTE: Refer also to the instructions included with the aftermarket accessory before installing this device.

INSTALLATION OPTIONS

Adding a subwoofer to a factory system:

The diagram on **Page 3** shows the connections that need to be made to add a subwoofer to the factory system.

Note: RCA jacks sold separately.

Adding a full-range of amps and subwoofer to a factory system:

The diagram on **Page 4** shows the connections that need to be made to add: Subwoofer (RCA jacks sold separately)

Amplifier (SPDT **relay E-123** required) or

Additional Amp (RCA jacks sold separately).

Note: The interface provides a 12-volt 1-amp output to turn on aftermarket amp(s). If installing multiple amps, an SPDT automotive relay will be required if the amp turn-on current of all amps combined exceeds 1-amp. Use Metra part number E-123 (sold separately) for best results.

FEATURES CONT.

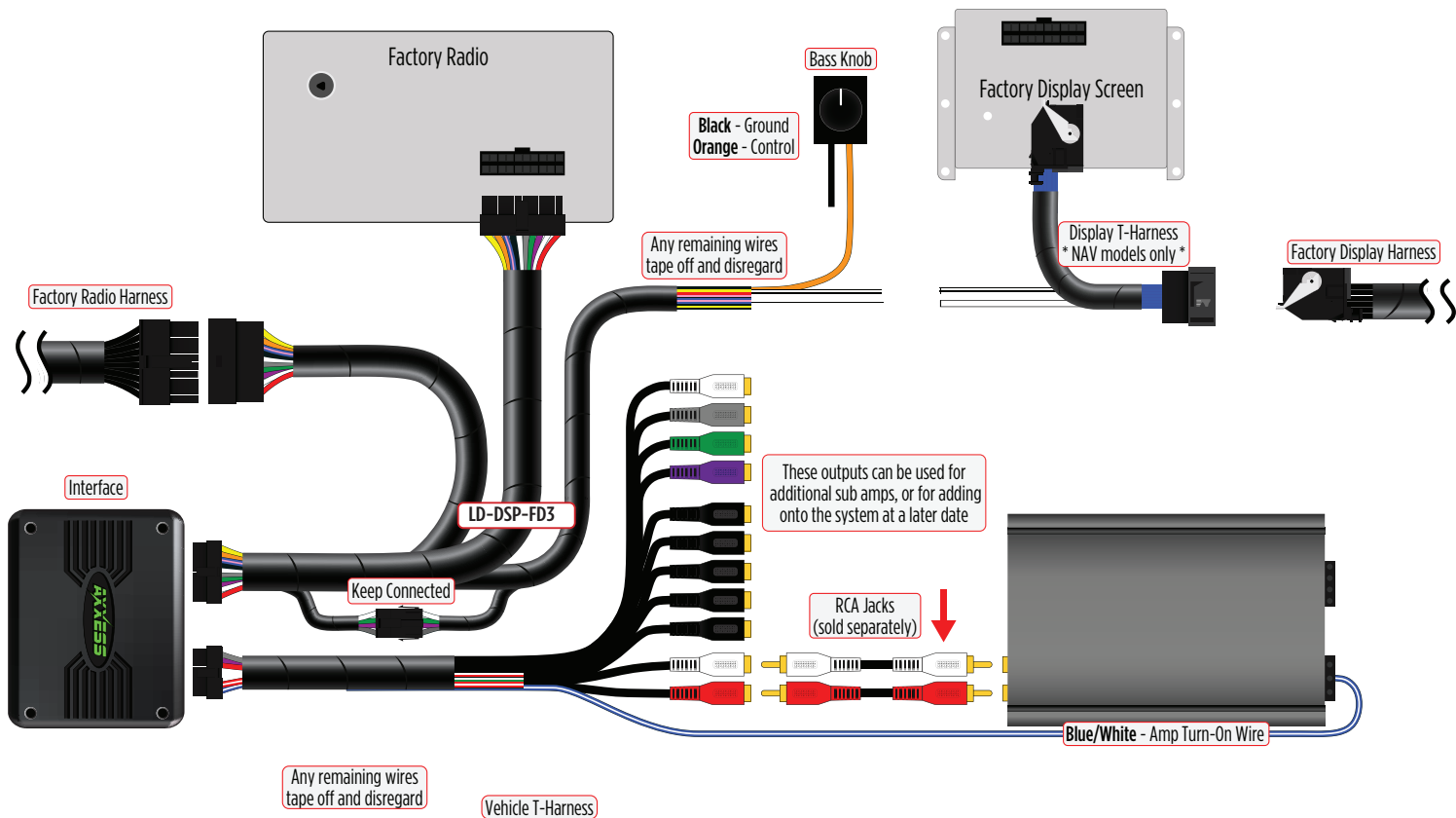
INSTALLATION

1. Disassemble the dash, unplug all connectors, and then remove the factory radio.[†]
2. Install the **AXDSPX-FD3 vehicle T-harness** to the vehicle and make all necessary connections, but leave the amp turn-on wire disconnected.
3. Plug the **AXDSPX-FD3 vehicle T-harness** to the **AXDSPX-FD3 interface**.
4. Plug the **AXDSPX-FD3 interface harness** to the **AXDSPX-FD3 interface**.
5. Download and install the **AX-DSP-XL app** for your smart device
6. Open the app then select the **Bluetooth Connection** tab. Follow the instructions to pair the mobile device to the interface. Refer to [page 6](#) for more information.
7. Scroll to the **Configuration** tab then select the vehicle type. Press the **Lock Down** ‡ button to save the configuration. Refer to [page 7](#) for more information.
8. Connect the amp turn-on wire.
9. Adjust the settings in the app as desired. Press the **Lock Down** ‡ button to save any new configurations.

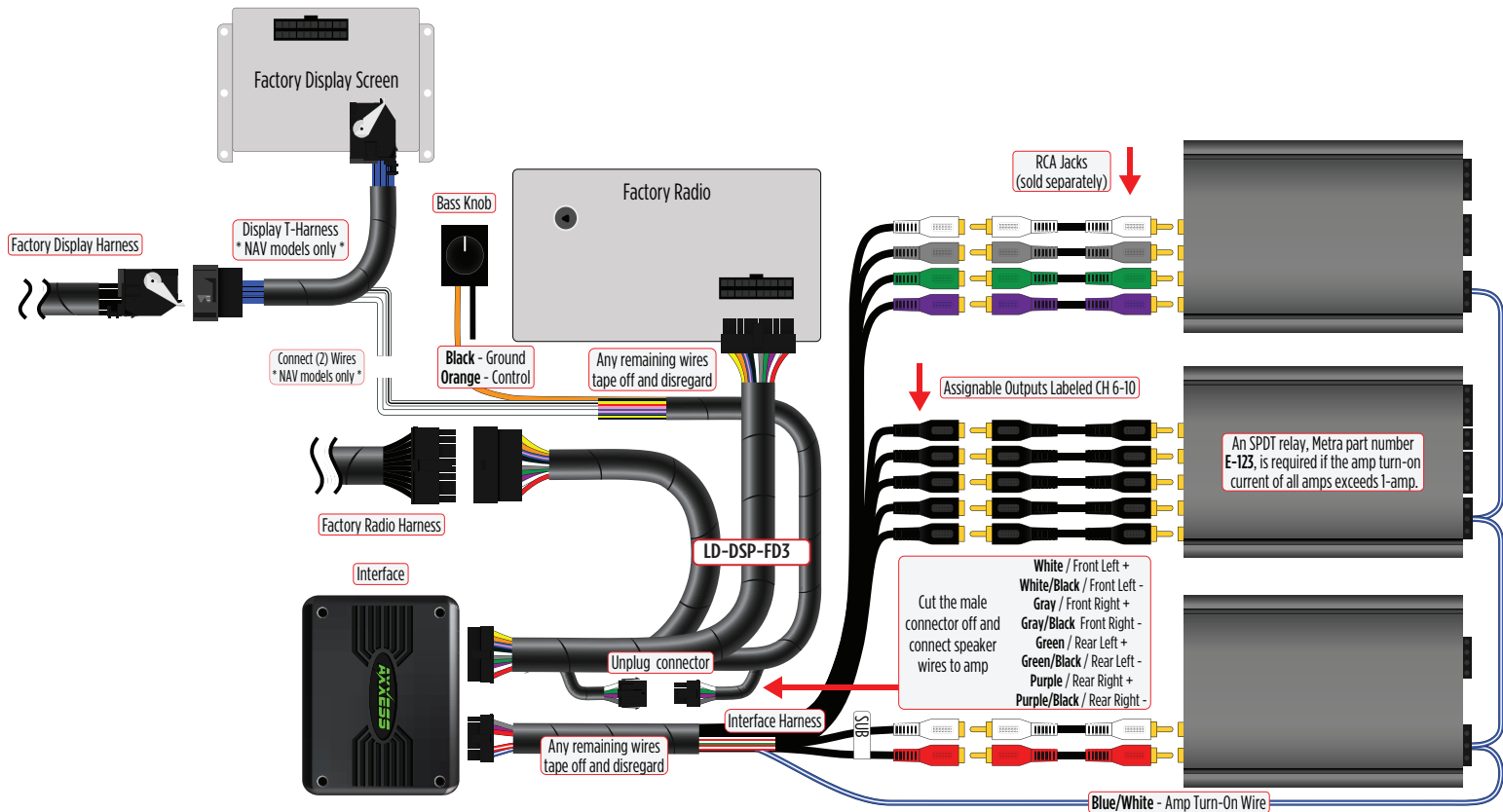
[†] For dash disassembly instructions, refer to [metraonline.com](#). Enter the year, make, and model of the vehicle in the Vehicle Fit Guide and find instructions under Metra Radio Install kits.

[‡] Anytime the interface is locked down the key must be cycled off then back on.

ADDING A SUBWOOFER TO A FACTORY SYSTEM



ADDING A FULL-RANGE AMP & SUB TO A FACTORY SYSTEM



QUICK SETUP STEPS THROUGH AXDSP-XL APP

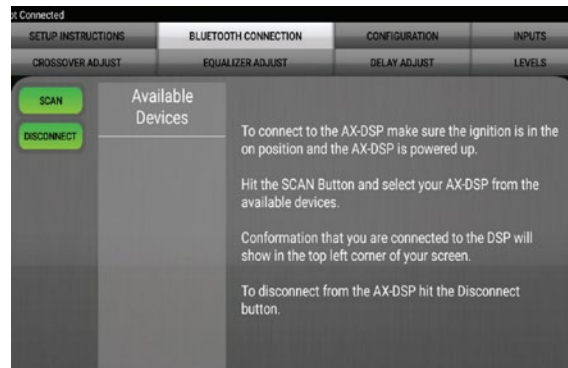
Android™ 9 or higher



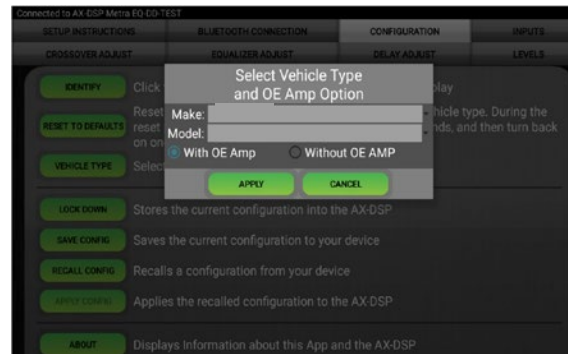
iOS® 12.1 or higher



1. Download and install the AX-DSP-XL app for your smart device.
2. Turn Vehicle Ignition on. Make sure the Remote Turn on lead is disconnected.
3. Open the app: Select **Bluetooth Connections** page.
 - Select **Scan**, all available AXDSP devices within range will be displayed. Select your AXDSP and hit connect. (Figure A)
4. Select the Configuration page.
 - Select **Vehicle Type** Icon
 - Select the Vehicle Make: ____ (Example: **FORD**)
 - Select the Vehicle's model: ____ (Example: **F150**)
 - Select **With OE Amp**
 - Hit **Apply** (Figure B)
5. Make sure radio volume is all the way down.
6. Connect the amp turn-on wire from the **AXDSPX-FD3 T-harness** to the aftermarket amplifiers.



(Figure A)

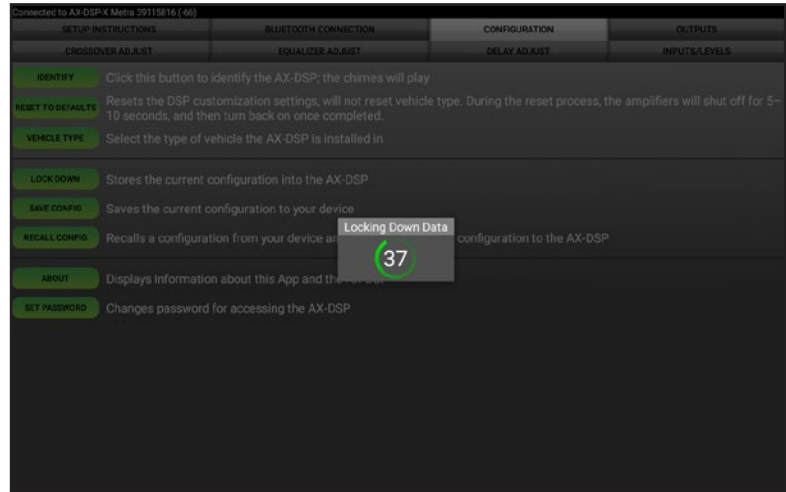


(Figure B)

QUICK SETUP STEPS THROUGH AXDSP-XL APP (CONT.)

- From the **Configuration** page click the **Identify** button to confirm that the **AXDSPX-FD3** is connected properly. If so, a chime will be heard from the front left speaker.
- Press the **Lock Down** button to save the configuration. (Do not turn ignition off until this process is completed) (Figure C)
- Select the **Bluetooth Configurations** page and disconnect the DSPX.
- Turn ignition off, close all door then lock vehicle using the key fob. The vehicle will need to sit uninterrupted for 10 minutes while the vehicle goes to sleep. (Make sure Key fob is 15 feet away from the vehicle)
- Unlock Vehicle, turn ignition on and test radio's functions.
- Adjust the DSP settings in the app as desired. Refer to the instructions under the **Setup Instructions** tab, or online at Axxessinterfaces.com for an explanation of each tab in the app.

Locking Down Data



(Figure C)

**Last and the most important:
You MUST lock down your
configuration and cycle the key!!!**

SPECIFICATIONS

Input Impedance	1M Ohm	THD	<0.03%
Input Channels	6	Frequency Response	20Hz - 20kHz
Input Options	High Level or Low Level	Crossover	3-Way LPF, BPF, HPF THP per channel
Input Type	Differential balanced	Crossover Type	Linkwitz-Riley 24db slope
Input Voltage (high level range)	0 - 28-volts (peak-to-peak)	Sampling	48kHz
Input Voltage (low level range)	0 - 4.9-volts (peak-to-peak)	S/N Ratio	105dB @ 5-volts RMS
Output Channels	10	Operating Voltage	10-16 volts DC
Output Voltage	Up to 5-volts RMS	Standby Current Draw	7mA
Output Impedance	50 Ohms	Operation Current Draw	150mA
Equalizer Type	31 Band Graphic EQ, +/- 10dB	Adjustments/Controls	Application via Bluetooth
		Remote Output	12 volts DC (signal sense) or ignition on



AXDSPX-FD3

INSTALLATION INSTRUCTIONS

Having difficulties? We're here to help.



Contact our Tech Support line at:

386-257-1187



Or via email at:

techsupport@metra-autosound.com

Tech Support Hours (Eastern Standard Time)

Monday - Friday: 9:00 AM - 7:00 PM

Saturday: 10:00 AM - 5:00 PM

Sunday: 10:00 AM - 4:00 PM



**Metra recommends MECP
certified technicians**