



Nissan Cube 2009-2014

Visit MetraOnline.com for more detailed information about the product and up-to-date vehicle specific applications

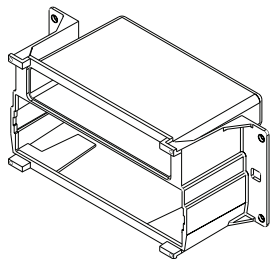
KIT FEATURES

- DIN radio provision with pocket
- ISO DIN provision with pocket
- Double DIN radio provision

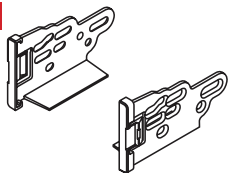
KIT COMPONENTS

- A) Radio housing • B) ISO brackets • C) Trim plate • D) Double DIN trim plate

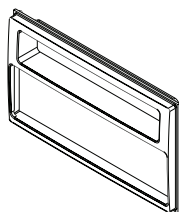
A



B



C



D

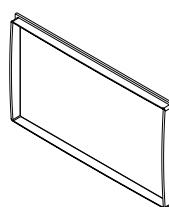


TABLE OF CONTENTS

Dash Disassembly	2
Kit Assembly	
-DIN mount radio provision with pocket.....	2
-ISO DIN radio provision with pocket.....	3
-DDIN radio provision.....	3

WIRING & ANTENNA CONNECTIONS (sold separately)

Wiring Harness: 70-7552

Antenna Adapter: 40-N112

TOOLS REQUIRED

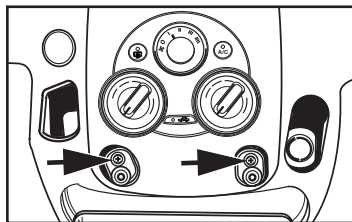
- Panel removal tool • Small flat blade screwdriver
- Phillips screwdriver

Attention! With the key out of the ignition, disconnect the negative battery terminal before installing this product. Ensure that all installation connections are secure before cycling the ignition to test this product.

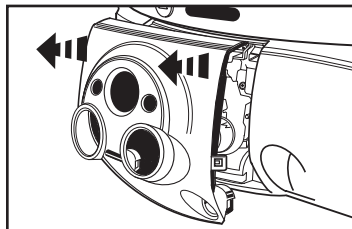
DASH DISASSEMBLY

1. Remove (2) Phillips screws from the bottom of the a/c trim panel then unclip and remove the panel. (Figure A,B)
2. Remove (2) Phillips screws from the bottom of the radio trim panel then unclip and remove the panel. (Figure C)
3. Remove (4) Phillips screws securing radio to dash to remove.

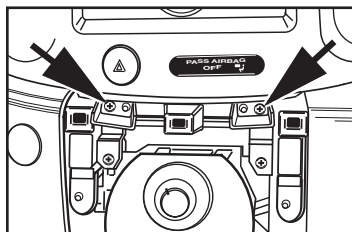
Continue to Kit Assembly



(Figure A)



(Figure B)



(Figure C)

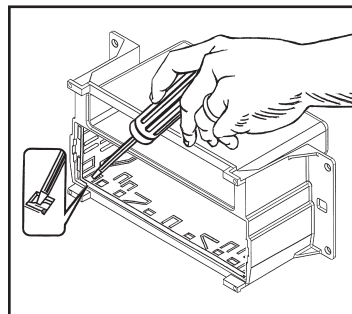
KIT ASSEMBLY

DIN radio provision with pocket

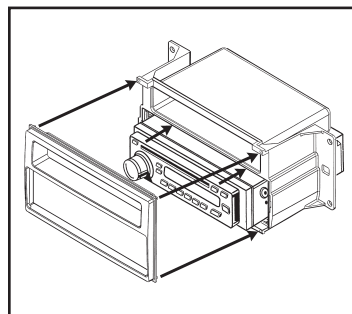
Note: The DIN trim plate and DDIN trim plate have supports in the middle that can be removed with cutters and trimmed with a knife if necessary.

Note: The aftermarket radio's trim plate must be removed prior to installation.

1. Slide the DIN cage into the **radio housing** and secure by bending the metal locking tabs down. (Figure A)
2. Slide the aftermarket radio into the cage and secure. (Figure B)
3. Attach the **trim plate** supplied with the kit. (Figure B)
4. Locate the factory wiring harness and antenna connector in the dash, and complete all necessary connections to the radio. Metra recommends using the proper mating adapter from Metra and/or AXCESS. Re-connect the negative battery terminal and test the radio for proper operation.
5. Reassemble dash in reverse order of disassembly.



(Figure A)

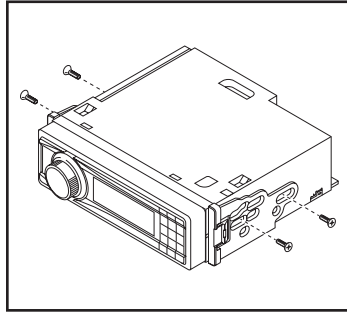


(Figure B)

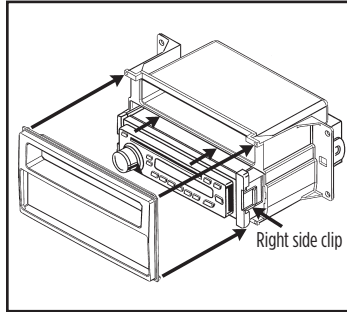
KIT ASSEMBLY

ISO DIN radio provision with pocket

1. Mount the **ISO brackets** to the radio with the screws supplied with the radio. (Figure A)
2. Slide the radio/bracket assembly into the **radio housing** until the side clips engage. (Figure B)
3. Attach the **trim plate** supplied with the kit. (Figure B)
4. Locate the factory wiring harness and antenna connector in the dash, and complete all necessary connections to the radio. Metra recommends using the proper mating adapter from Metra and/or AXXESS. Re-connect the negative battery terminal and test the radio for proper operation.
5. Reassemble dash in reverse order of disassembly.



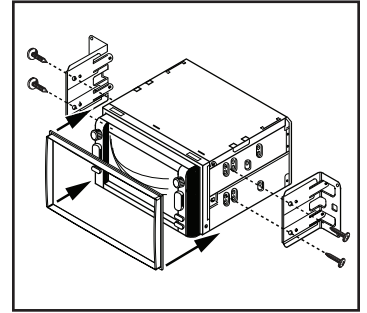
(Figure A)



(Figure B)

DDIN radio provision

1. Slide the DDIN radio unit into the factory brackets and secure the unit to the brackets using the screws supplied with the radio. (Figure A)
2. Place the **DDIN trim plate** over the face of the aftermarket radio or into the opening of the OE radio bezel prior to final assembly. (Figure A)
3. Locate the factory wiring harness and antenna connector in the dash, and complete all necessary connections to the radio. Metra recommends using the proper mating adapter from Metra and/or AXXESS. Re-connect the negative battery terminal and test the radio for proper operation.
4. Reassemble dash in reverse order of disassembly.



(Figure A)



99-7608
INSTALLATION INSTRUCTIONS



Having difficulties? We're here to help.



Contact our Tech Support line at:

386-257-1187



Or via email at:

techsupport@metra-autosound.com

Tech Support Hours (Eastern Standard Time)

Monday - Friday: 9:00 AM - 7:00 PM

Saturday: 10:00 AM - 7:00 PM

Sunday: 10:00 AM - 4:00 PM



KNOWLEDGE IS POWER

Enhance your installation and fabrication skills by enrolling in the most recognized and respected mobile electronics school in our industry. Log onto www.installerinstitute.edu or call 386-672-5771 for more information and take steps toward a better tomorrow.



**Metra recommends MECP
certified technicians**