



Fits Honda CR-V 2007-2011

Visit MetraOnline.com for more detailed information about the product and up-to-date vehicle specific applications

KIT FEATURES

- Stereo installation kit designed to fit any standard 2" or 4" tall aftermarket radio
- Contoured and textured to match the factory dash
- Made from the highest quality ABS plastic for an original factory-like fit and finish

KIT COMPONENTS

- A) Radio housing • B) Radio brackets • C) Pocket • D) Phillips screws (8)

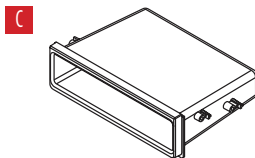
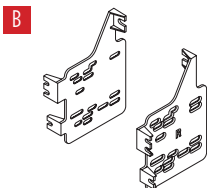
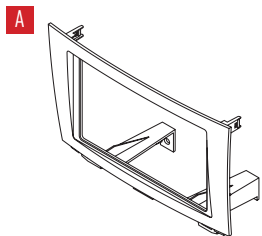


TABLE OF CONTENTS

Dash Disassembly	2
Kit Assembly	
- ISO DIN radio provision with pocket	3
- ISO DDIN radio provision	3

WIRING & ANTENNA CONNECTIONS (sold separately)

Wiring Harness: See axxessinterface.com for A/V and SWC interface options.
Antenna Adapter: 40-HD10

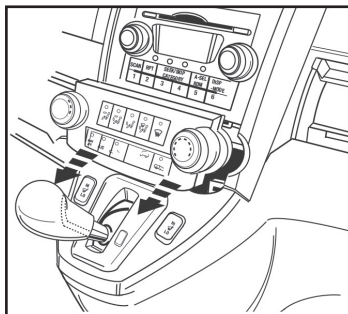
TOOLS REQUIRED

- Phillips screwdriver • Panel removal tool
- Small flat blade screwdriver

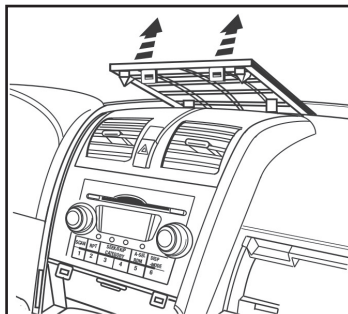
Attention! With the key out of the ignition, disconnect the negative battery terminal before installing this product. Ensure that all installation connections are secure before cycling the ignition to test this product.

DASH DISASSEMBLY

1. Unclip a/c control. Unplug and remove a/c control. (Figure A)
2. Unclip and remove panel above A/C vents. (Figure B)



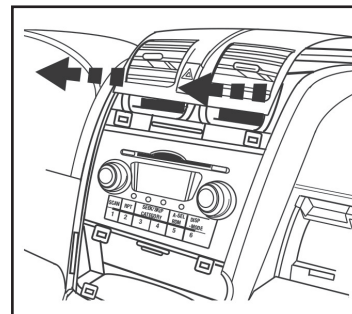
(Figure A)



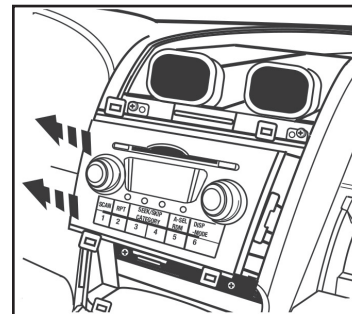
(Figure B)

3. Unclip the A/C vent panel including the hazard switch. Unplug and remove the panel. (Figure C)
4. Remove (4) Phillips screws securing the radio. Unplug and remove radio. (Figure D)

Continue to Kit Assembly



(Figure C)

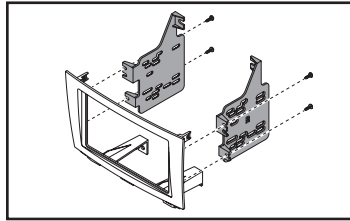


(Figure D)

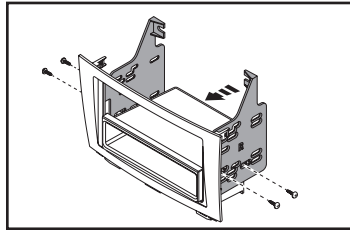
KIT ASSEMBLY

ISO DIN radio provision with pocket

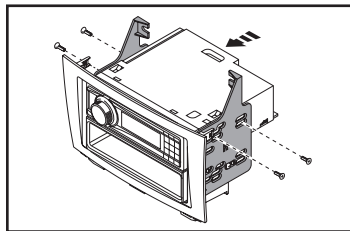
1. Attach the **radio brackets** to the **radio housing** using (4) of the Phillips screws provided. (Figure A)
2. Attach the **pocket** to the **radio brackets** using (4) of the Phillips screws provided. (Figure B)
3. Slide the radio into the radio housing assembly, then secure it using the screws supplied with the radio. (Figure C)
4. Locate the factory wiring harness and antenna connector in the dash, and complete all necessary connections to the radio. Metra recommends using the proper mating adapter from Metra and/or AXXESS. Re-connect the negative battery terminal and test the radio for proper operation.
5. Slide the radio assembly into the dash, then secure using the factory screws.
6. Reassemble the dash in reverse order of disassembly.



(Figure A)



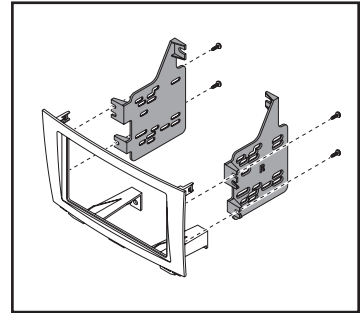
(Figure B)



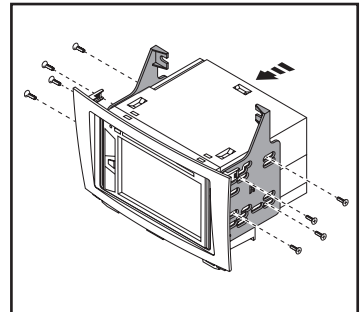
(Figure C)

ISO Double DIN radio provision

1. Attach the **radio brackets** to the **radio housing** using (4) of the Phillips screws provided. (Figure A)
2. Slide the radio into the radio housing assembly, then secure it using the screws supplied with the radio. (Figure B)
3. Locate the factory wiring harness and antenna connector in the dash, and complete all necessary connections to the radio. Metra recommends using the proper mating adapter from Metra and/or AXXESS. Re-connect the negative battery terminal and test the radio for proper operation.
4. Slide the radio assembly into the dash, then secure using the factory screws.
5. Reassemble the dash in reverse order of disassembly.



(Figure A)



(Figure B)



99-7873
INSTALLATION INSTRUCTIONS



Having difficulties? We're here to help.



Contact our Tech Support line at:

386-257-1187



Or via email at:

techsupport@metra-autosound.com

Tech Support Hours (Eastern Standard Time)

Monday - Friday: 9:00 AM - 7:00 PM

Saturday: 10:00 AM - 5:00 PM

Sunday: 10:00 AM - 4:00 PM



**Metra recommends MECP
certified technicians**